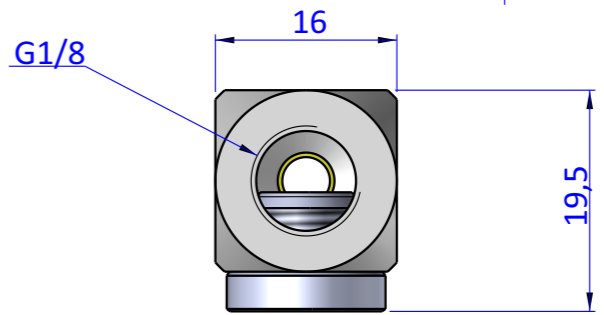
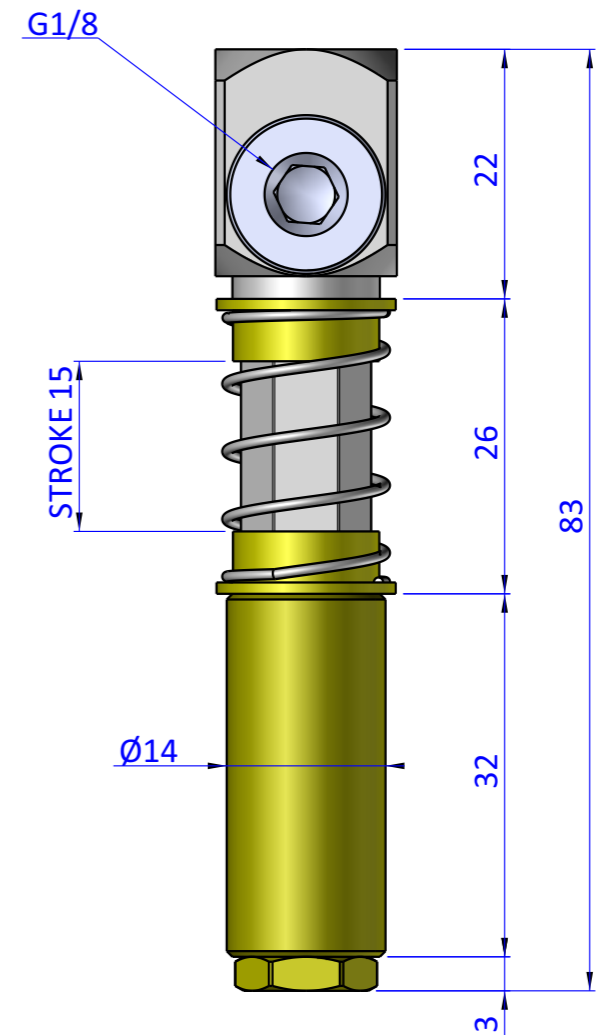
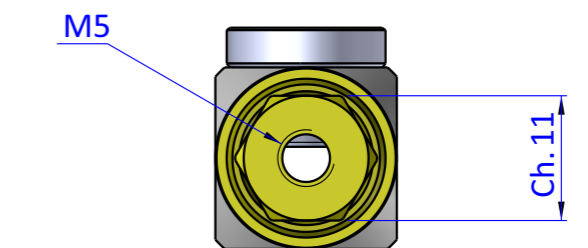
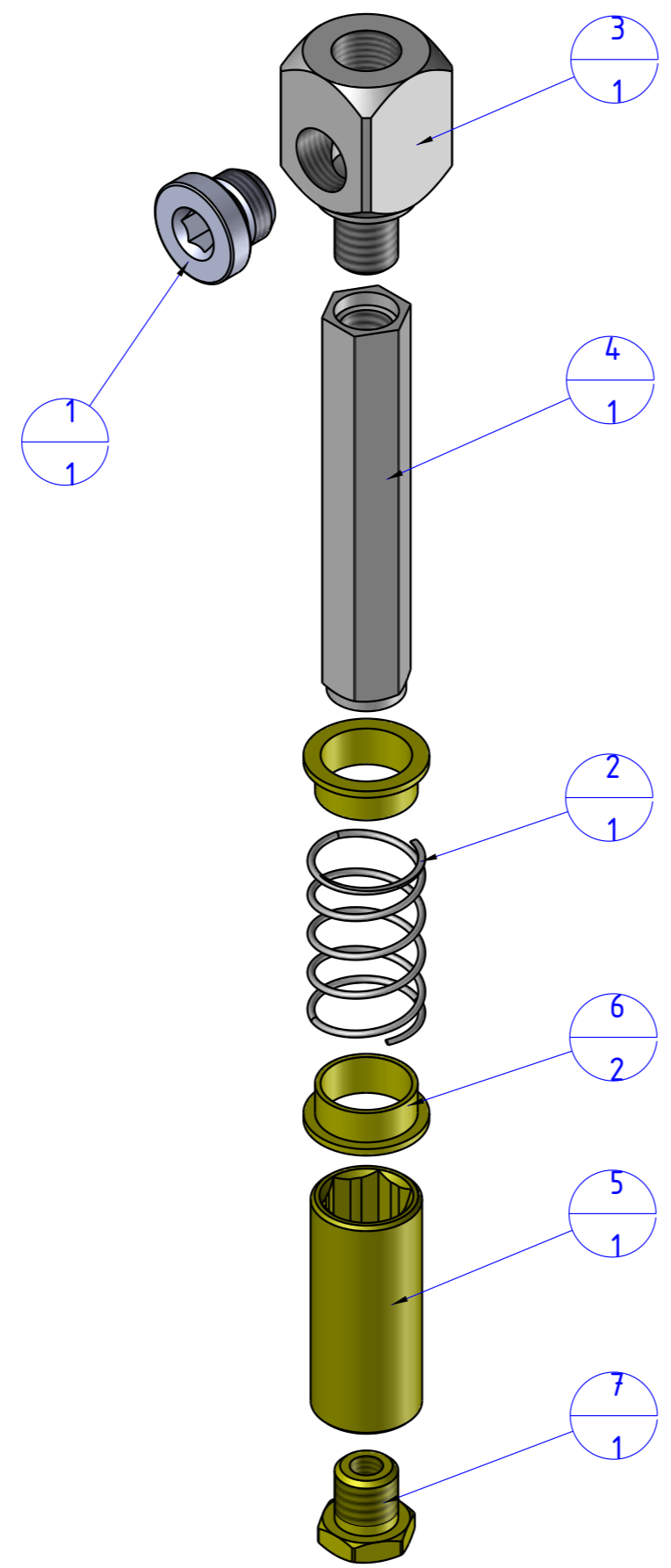



THE PROPERTY OF THE DRAWING IS ESTABLISHED BY LAW. IT IS FORBIDDEN TO PRODUCE OR SHOW IT TO THIRD PART. WITHOUT A WRITTEN AGREEMENT.

Item	Name	Q.ty
1	CA.08.14.014	1
2	M.15x35	1
3	SAE.14181815.1	1
4	SAE.14181815.2	1
5	SAE.14181815.3	1
6	SAE.14181815.4	2
7	SAE.14181815.5	1



Format A3  
UNI 936-76

 FPS SERVICES AUTOMATION		DESIGNED FROM		REVIEW
		FPS Automation		A
GENERAL TOLERANCE		DATE	WEIGHT	
UNI - ISO 2768		16/09/2020	0,052kg	
CLASSE f		DESCRIPTION	CODE	
		CA.SAE.14181815	CA.SAE.14181815	